

ASTA ADJUSTED

ASTA 系列安装说明书

ASTA series installation instructions

系列	预埋件尺寸(外径)
BB00205	Φ 138mm
BB00207	Φ 138mm

适用范围

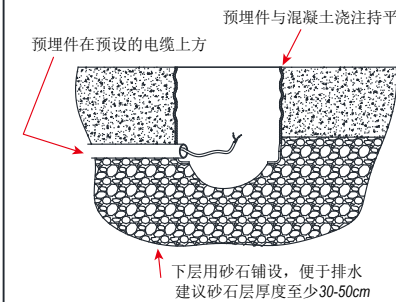
此产品适用于广场, 人行道, 庭院, 走廊等室内与户外场所.

具体外观以实物为准!

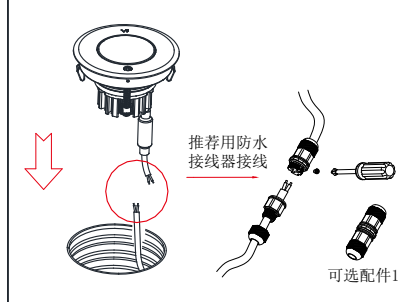
安装步骤

此方式适合宽边灯具, 面盖高出地面安装.

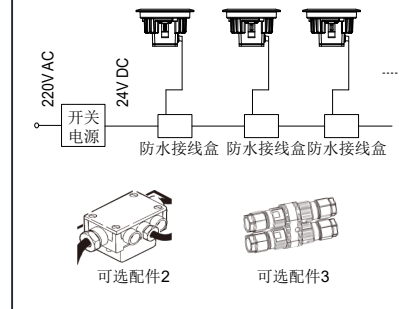
1.1 将预埋件安装在定好的装灯位置, 并将线位处理好.



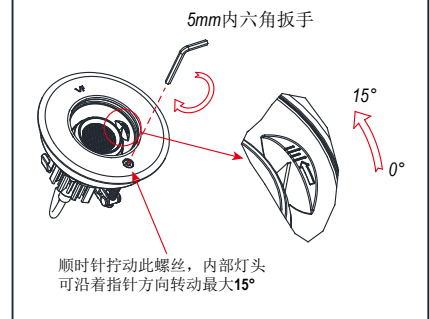
1.2 选用防水配件连接电源线, 灯体向下安装于预埋件内.



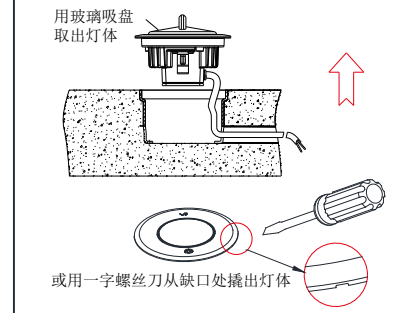
1.3 确认线路安全, 点亮查看无误, 安装完成.



1.4 如需调整角度, 可下图操作.



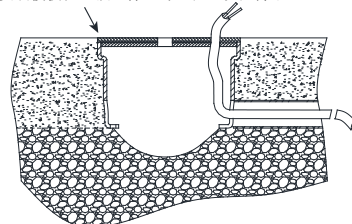
1.5 如需维修及更换, 可用配套吸盘将灯具取出或一字螺丝刀撬出.



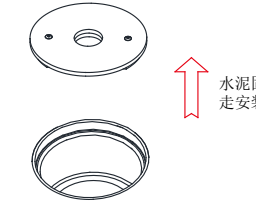
安装步骤 二

此方式适合窄边灯具，面盖与地面平齐安装。

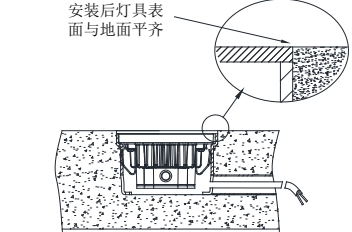
2.1 将预埋件安装在定好的装灯位置，并将线位处理好。
安装模板扣入预埋件且与混凝土浇注持平



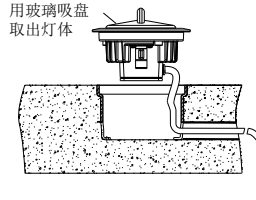
2.2 选用防水配件连接电源线，灯体向下安装于预埋件内。
水泥固化后取走安装模板






2.3 按安装步骤1.2、1.3接线，安装后灯具表面与地面平齐。
安装后灯具表面与地面平齐

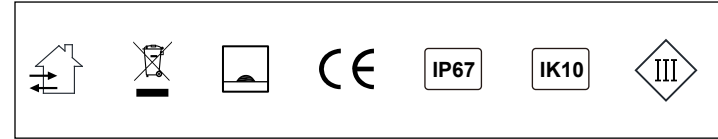


2.4 如需维修及更换，可用配套吸盘将灯具取出。
用玻璃吸盘取出灯体



灯具输出线接线说明

2芯线(适用不调光灯具)	4芯线(适用DALI/0-10V调光灯具)	6芯线(适用DMX512调光灯具)
 <p>棕色: DC 24V + 蓝色: DC 24V -</p>	 <p>棕色: DC 24V + 蓝色: DC 24V - 黄绿: DALI +/-0-10V+ 黑色: DALI +/-0-10V-</p>	 <p>棕色: DC 24V + 蓝色: DC 24V - 紫色: DIM+ 黄绿: DIM- 灰色: T/I/O 黑色: GND</p>



适用于室内环境与户外环境。
Suitable for indoor and outdoor environment.

注意事项:

- 只能使用符合IEC或CCC安全标准的电源;
- 检查电源是否匹配灯具;
- 须考虑到最大电流值;
- 灯具上显示电压不是用来选择恒压电源，而是表示所选择恒流电源所覆盖的电压;
- 采用合适的ESD措施，避免触摸裸导体;
- 若与某种化学物质或气体接触，LED芯片会受损;
- 因此不能用化学物质清理LED壳体或LED驱动灯，如下物质证实对灯具的性能有负面影响，不能与LED灯具处在同一环境下。
指甲油
超能胶水
乙二醇
甲醛
LOCTITE胶水
漂白粉，含漂白粉的清洁剂、喷雾剂
LOCTITE 384胶
LOCTITE 7387 活化剂
- 将绝缘物移开或提供足够空间以便灯具本身的温升不会超过额定的;
- LED芯片对开关瞬态很敏感，因此LED灯具与电器必须在断电状态下连接，不可热插拔。
- VF建议使用灯具说明书上指示的电源。
- 须顾及到产品的极性。
- 如果此灯具的外部软缆或软线损坏了，该线要由制造商或其服务代理商或有类似资格的人更换
- 不可替换光源（此灯具的光源是不可替换的；当光源到其寿终时，应替换整个灯具）

- Use only drivers that comply with IEC or CCC safety standards.
- Check if the power supply match with the luminaire.
- Must consider the maximum current value displayed on the label of the luminaire.
- The voltage displayed on the luminaire is not used to select the constant voltage driver, but the voltage covered by the selected constant current driver.
- Take suitable ESD measures to avoid touching bare conductors.
- LED chips can be damaged if be in touch with chemical material or gas. Therefore, it is not allowed to clean the LED housing or luminaire by chemicals.
- The following items are confirmed to have negative impact on the performance of the luminaire, avoid to keep luminaire in the same circumstance with them.
Methyl acetate or ethyl acetate (i.e., nail polish remover)
Cyanoacrylates (i.e., "Superglue")
Glycol ethers (including Radio Shack ® Precision Electronics
Cleaner - dipropylene glycol monomethyl ether)
Formaldehyde or butadiene (including Ashland PLIOBOND ® adhesive)
Dymax 984-LVUF conformal coating
Loctite Sumo Glue、Loctite 384 adhesive、Loctite 7387 activator
Gorilla Glue、Bleach, Bleach-containing cleaners, sprays

- Remove the insulation material from the luminaire or provide enough space so that the temperature raising will not overpass the limited TC.
- LED chip is very sensitive to switching transients, therefore, LED lamps and appliances must be connected after power cut off, no hotswappable.
- VF recommends using the driver indicated on the luminaire manual.
- Must consider the polarity of the product.
- If the external flexible cable or cord of this lamp is damaged, the cord should be replaced by the manufacturer or its service agent or a similarly qualified person
- Non-replaceable light source (The light source of this luminaire is not replaceable; When the light source reaches the end of its life, the entire luminaire should be replaced)

爱加照明科技有限公司

广东省东莞市大朗镇洋乌村乌石岭三区438号
Tel: 0769-8539 7723 / 8539 7729 Fax: 0769-8258 3418
E-mail: info@vflighting.com Http: //www.vflighting.com